



# Data Sheet

## IOX AX2 Asset Tracker

**Important Note:** For best results, please wait to power on your device after you have registered an account with ioX-Connect and added your devices to the online system.



COLLECT. ANALYZE. ACT



Integrating traditional asset management practices with advanced digital technologies to enhance efficiency and boost your bottom line.

[www.iox-connect.com](http://www.iox-connect.com)

# IOX-AX2 Asset Tracker: Unmatched Ruggedness & Battery Life

## Elevate Your Asset Monitoring Capabilities

The IOX-AX2 Asset Tracker brings unmatched precision to location and condition monitoring. Part of the ioX Asset Tracking Solutions, this device is designed for comprehensive, edge-to-enterprise integration, tailored specifically to your operational needs. Each solution combines high-performance asset tracking devices, robust network connectivity, and user-friendly software—all optimized for your unique use cases.

## Robust, Reliable, and Ready for Any Environment

The AX2 is a powerhouse of versatility and durability. Engineered for the toughest conditions, it offers rugged protection against water and dust, making it ideal for both indoor and outdoor environments. This asset tracker harnesses cellular connectivity, GPS, and Wi-Fi to provide real-time monitoring of location, motion, temperature, and humidity.

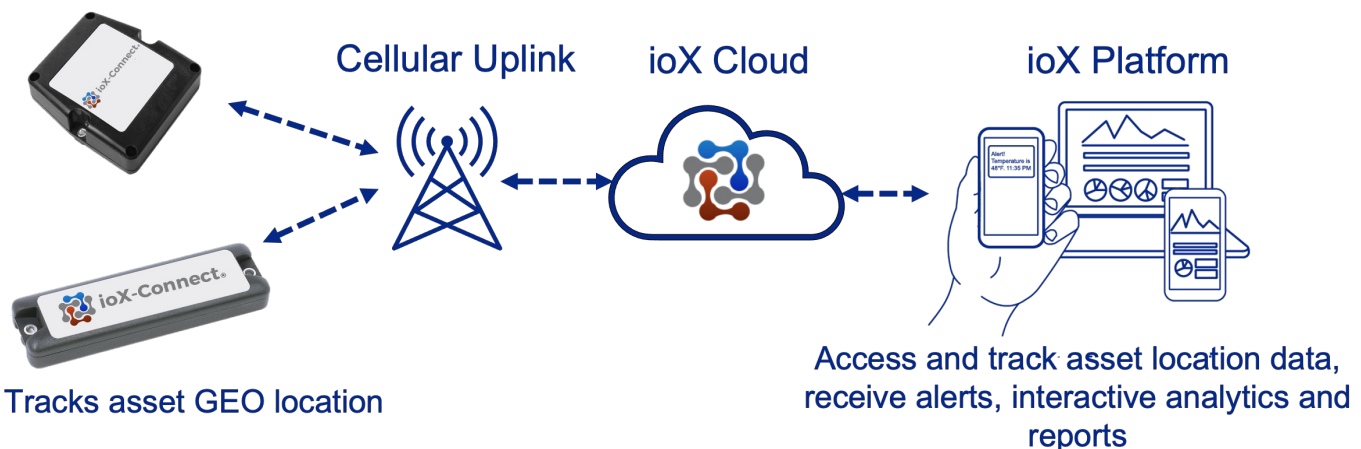
## Exceptional Performance Where It Counts

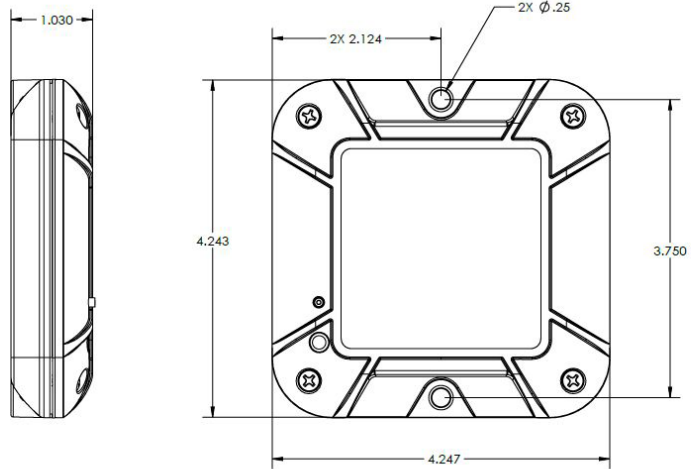
Featuring a sophisticated power management system, the AX2 ensures prolonged battery life, reducing the need for frequent recharges and maintaining continuous monitoring of your assets. With support for multiple frequency bands and global capability, the AX2 is your reliable partner in asset tracking, wherever your assets may roam.

## A Tailored, Trusted Tracking Experience

Like all ioX tracking devices, the AX2 is designed to seamlessly integrate into your existing systems, offering a flexible and scalable solution that grows with your business needs. Trust the IOX-AX2 to keep a vigilant eye on your valuable assets, delivering the data you need to optimize and protect your operations.

## How it works





IOX-AX2 Asset Tracker Technical Specifications	
<b>TARGET REGION</b>	North America & Europe
<b>CELLULAR TECHNOLOGY</b>	
LTE Category	LTE-M, NB-IoT
LTE Frequency Bands	LTE FDD: B1, B2, B3, B4, B5, B8, B12, B13, B18, B19, B20, B26, B28 LTE TDD: B39 (Cat M1/LTE-M Only)
2G Frequency Band	GSM850, GSM900, DCS1800, PCS1900
<b>HARDWARE</b>	
Dimensions	4" x 4" x 1" (101.6 x 101.6 x 25.4mm)
Weight	8 oz
Enclosure Rating	IP67
Operating Temperature	-30 to +60C (-22°F to 140°F)
<b>LOCATION SERVICES</b>	
Cellular	Cell Tower Triangulation, 1,000-50,000m
GPS	Satellite Triangulation, 5m-100m
Wi-Fi	Wi-Fi Access Point Triangulation, 10-250m
<b>ADDITIONAL SENSORS</b>	Temperature, Humidity & Accelerometer

## Commercial Grade Sensors:

ioX-Connect commercial grade sensors are designed for applications in ordinary environments (normal room temperature, humidity and atmospheric pressure). Do not use these sensors under the following conditions as these factors can deteriorate the product characteristics and cause failures and burn-out. (Corrosive gas or deoxidizing gas - chlorine gas, hydrogen sulfide gas, ammonia gas, sulfuric acid gas, nitric oxides gas, etc.). Volatile or flammable gas. Dusty conditions. Under low or high pressure. Wet or excessively humid locations. Places with salt water, oils chemical liquids or organic solvents. Where there are excessively strong vibrations. Other places where similar hazardous conditions exist.)

Use these products within the specified temperature range. Higher temperature may cause deterioration of the characteristics or the material quality.

## Industrial Grade Sensors - Type 1, 2, 4, 4X, 12 and 13 NEMA Rated Enclosure:

ioX's Industrial sensors are enclosed in reliable, weatherproof NEMA rated enclosures. The NEMA rated enclosures are constructed for both indoor or outdoor use and protect the sensor circuitry against the ingress of solid foreign objects like dust as well as the damaging effects of water (rain, sleet, snow, splashing water, and hose directed water).

- Safe from falling dirt.
- Protects against wind blown dust.
- Protects against rain, sleet, snow, splashing water, and hose directed water
- Increased level of corrosion resistance
- Will remain undamaged by ice formation on the enclosure

For more information about our products or to place an order, please contact our sales department at [sales@iox-connect.com](mailto:sales@iox-connect.com)



ioX-Connect is an EAMS  
Technologies Inc brand.  
Orlando, FL 32746  
[sales@iox-connect.com](mailto:sales@iox-connect.com)